



# N5

2U Active Cooler

**PRODUCT SPECIFICATIONS**

## Table of Contents

1. PRODUCT DESCRIPTION .....	2
2. THERMAL PERFORMANCE CURVE.....	2
3. EP DRAWING .....	5
4. DM DRAWING .....	6
5. ROHS CERTIFICATE .....	7

## Model Number: N5

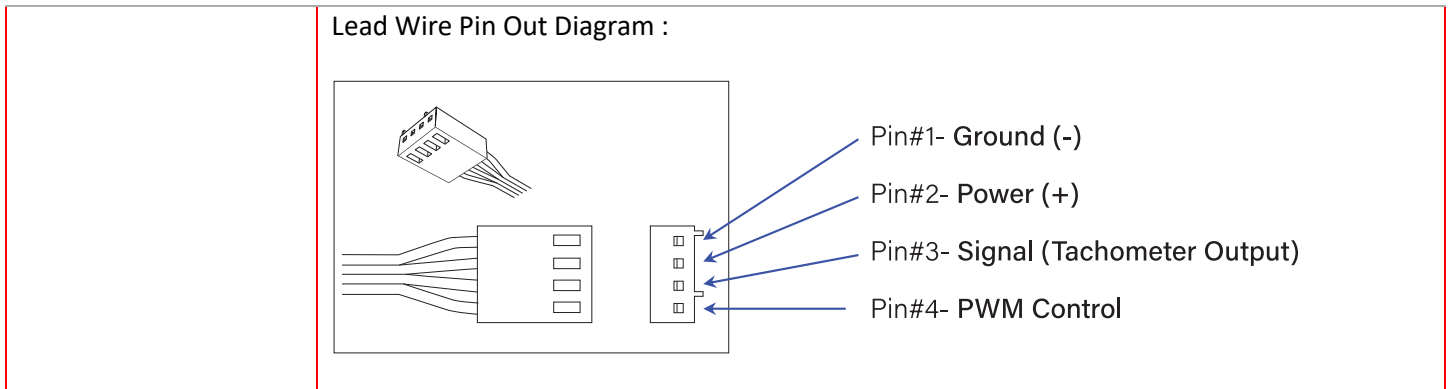
- Intel® Ice Lake and Cooper Lake Server Processors, Socket FCLGA4189-4 / -5 (Socket P4 / P5 or P+)
- Active Cooler for 2U Server and up

## Overall Specification

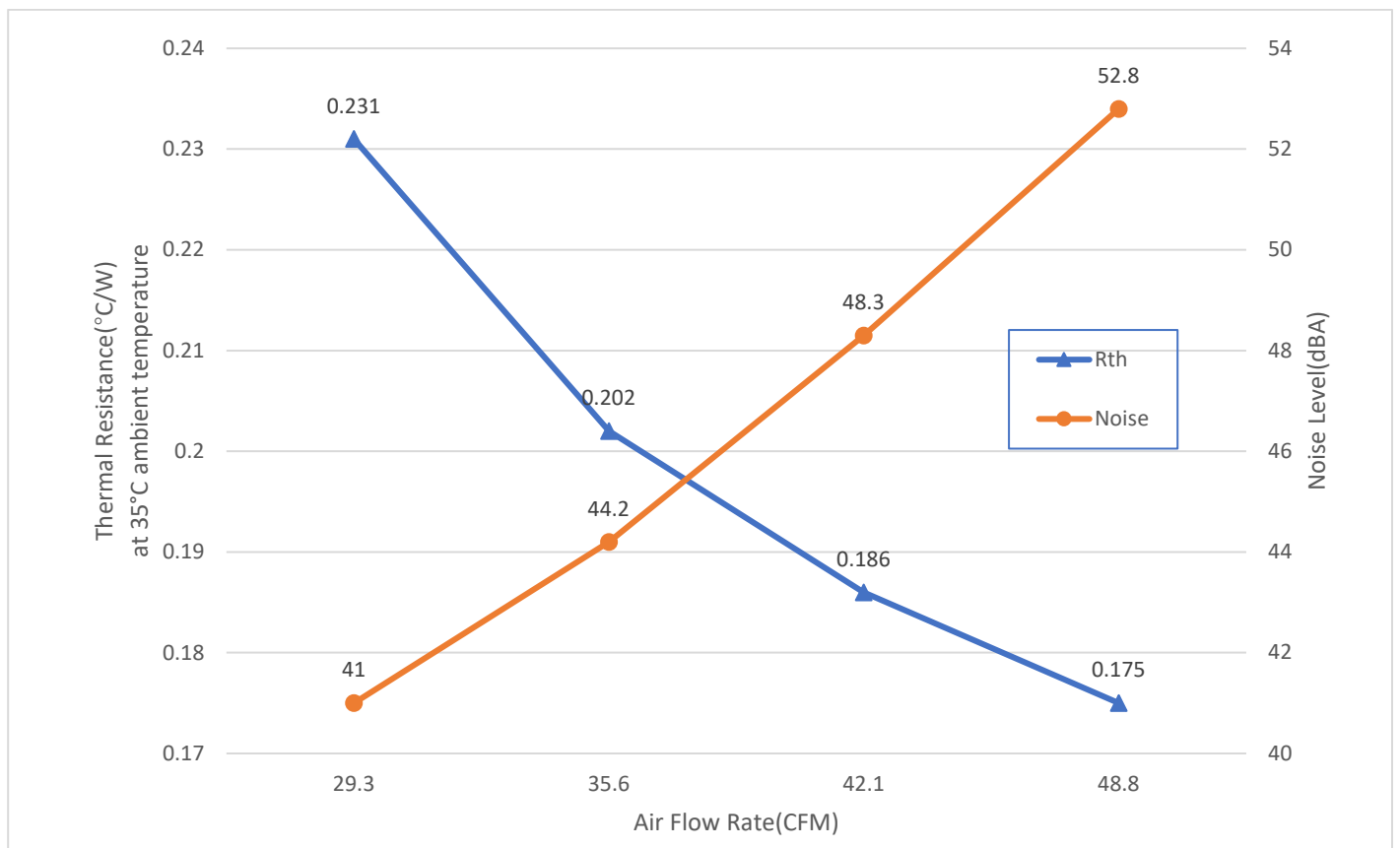
Dimension	113 x 82 x 66 mm
Weight	440 g
Fan	6025 Axial Fan for heat exhausting
Material	Aluminum Fin stack with Heat Pipe embedded
Mounting Sets	Intel standard Anti-Tilt Rotating Heat Sink Captive Mounting Sets
Package Carrier	PHM Package Carrier is included
Thermal Grease	Shin-Etsu 7762 pre-printed
TDP	Support CPU Power up to 205 Watts Heat Dissipation

## Fan Specification

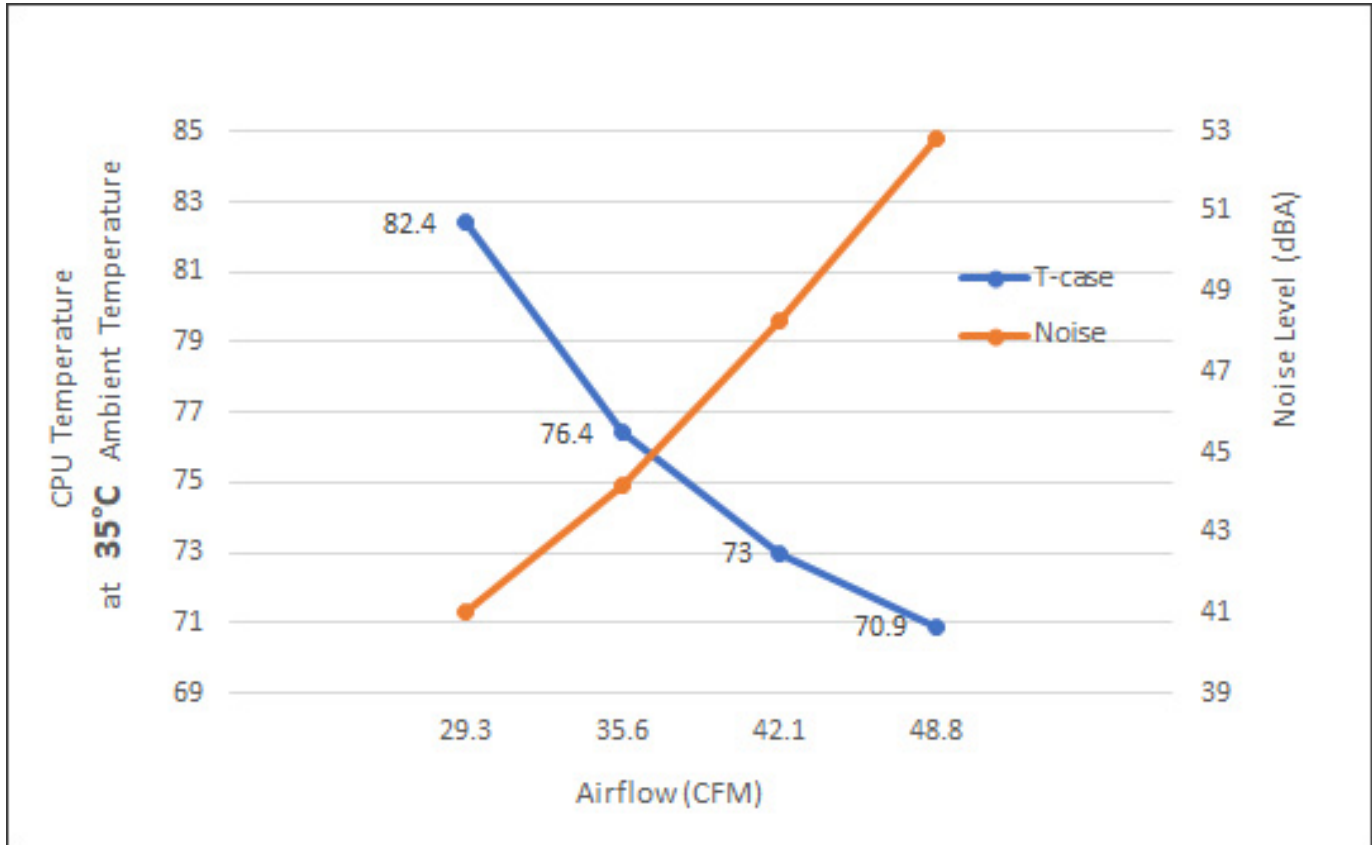
Model Number	DF126025BU - PWM
Dimension	60 x 60 x 25 mm
Bearing	Double Ball
Rated Voltage	12V
Rated Speed	At Duty Cycle 0~20%: 1700 ± 200 RPM At Duty Cycle 50%: 4000 ±15% RPM At Duty Cycle 100%: 8000 -0 / +500 RPM
Input Power	At Duty Cycle 0~20%: 1.20 W At Duty Cycle 50%: 2.520 W At Duty Cycle 100%: 9.60 W
Maximum Airflow	At Duty Cycle 0~20%: 9.86 CFM At Duty Cycle 50%: 23.21 CFM At Duty Cycle 100%: 49.32 CFM
Rated Static Pressure	At Duty Cycle 0~20%: 0.860 mm-H2O At Duty Cycle 50%: 4.760 mm-H2O At Duty Cycle 100%: 21.50 mm-H2O
Acoustical Noise	At Duty Cycle 0~20%: 19.32 dBA At Duty Cycle 50%: 37.89 dBA At Duty Cycle 100%: 54.26 dBA
Lead Wire Pin Out	Pin#1- Black(-) Pin#2- Yellow(+) Pin#3- Green(Tachometer/ Signal Output) Pin#4- Blue (PWM)



## Model N5 Performance Chart: Thermal Resistance Thermal Resistance VS. Airflow



## Cooling Performance : CPU Temperature VS. Airflow



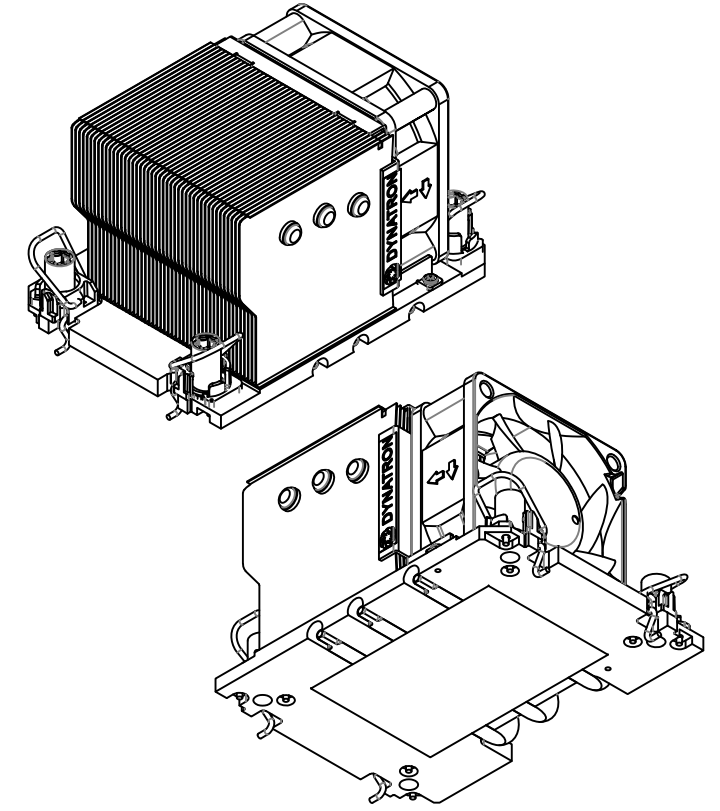
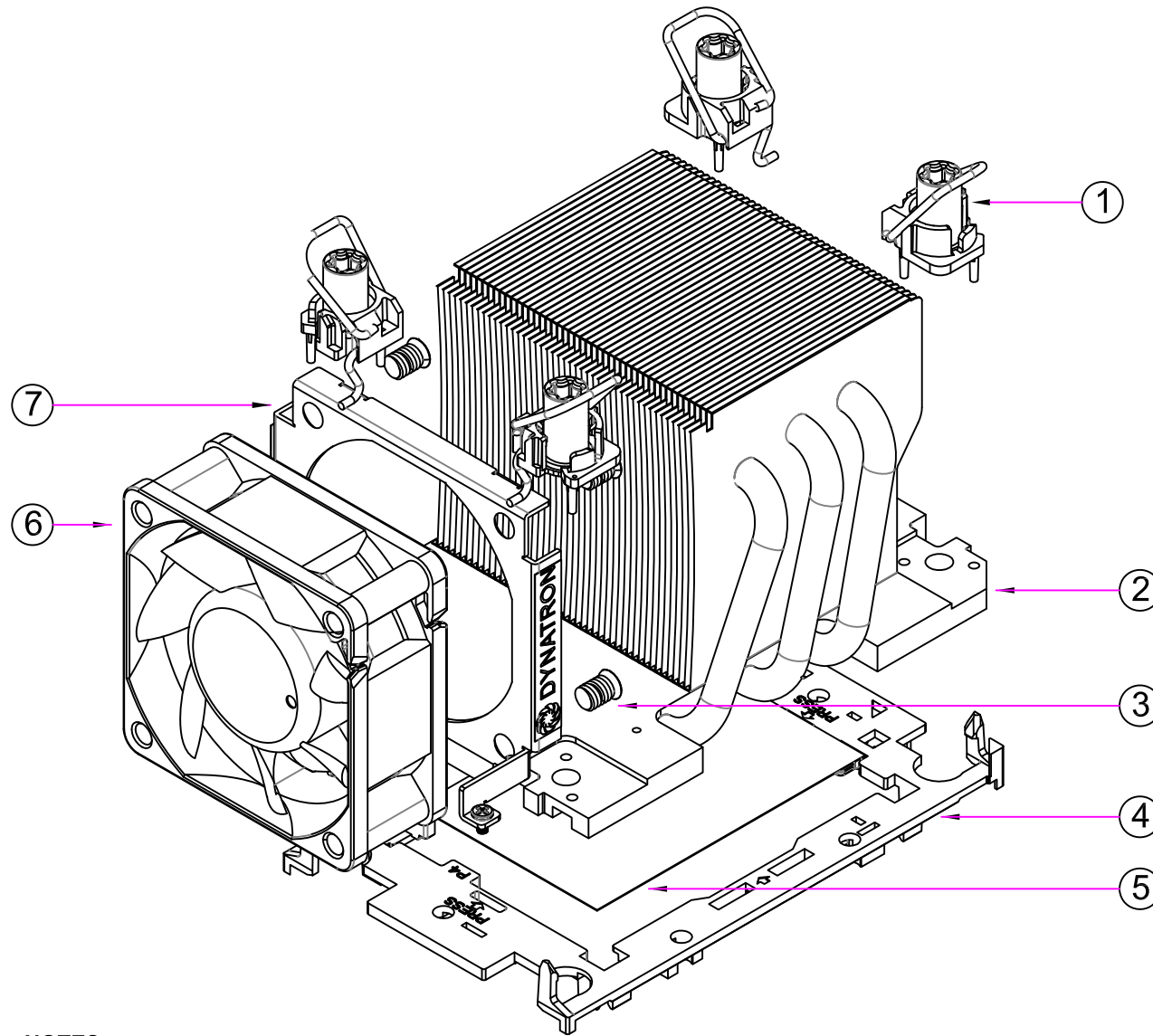
**CONFIDENTIAL DOCUMENT**

THIS DRAWING CONTAINS INFORMATION PROPRIETARY TO DYNATRON CORPORATION AND DYNAEON INDUSTRIAL CO., LTD. ANY REPRODUCTION, DISCLOSURE, OR USE OF THIS DRAWING IS EXPRESSLY PROHIBITED EXCEPT AS DYNATRON CORPORATION AND DYNAEON INDUSTRIAL CO., LTD. MAY OTHERWISE AGREE TO IN WRITING.

REV#	DESCRIPTION	CHECKER	DATE
0.0	INITIAL RELEASE	LANG	06/26/2019

**ASSEMBLY PARTS**

**WHOLE SET OF HEATSINK**



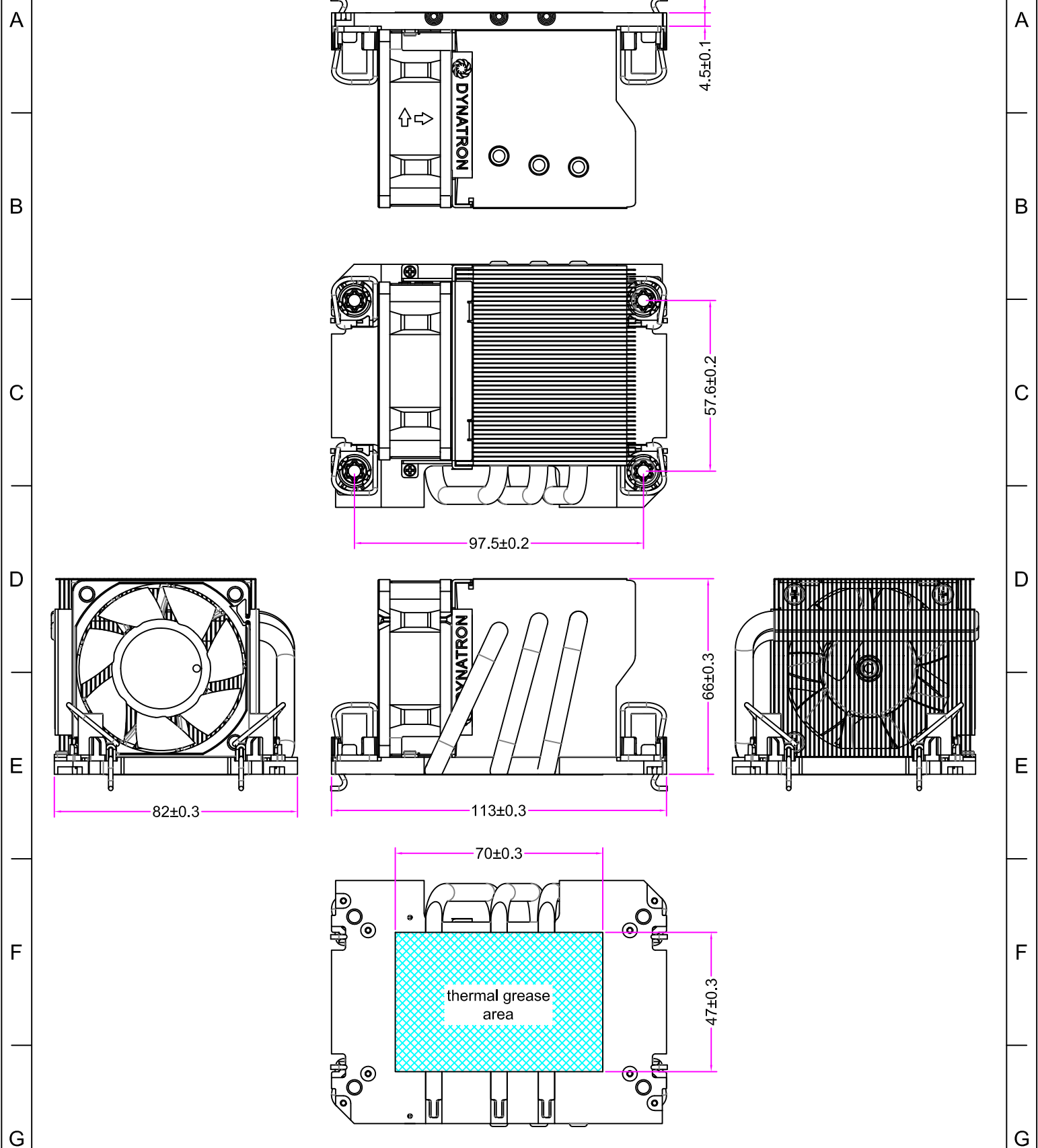
ITEM#	DESCRIPTION	MATERIAL	QTY.
7	FAN BRACKET	ALUMINUM ALLOY	1
6	FAN, DF126025BU - PWM ( up to 8500 RPM )	PLASTIC	1
5	THERMAL GREASE, PRE-PRINTED	SHIN-ETSU 7762	1
4	INTEL PACKAGE CARRIER	PLASTIC	1
3	SCREW, FAN MOUNTING	STEEL	4
2	HEATSINK, with STACKED FINS	HEAT PIPES ALUMINUM BASE ALUMINUM STACKED FIN	1
1	ANTI-TILT ROTATING WIRE ASSEMBLY SET	PLASTIC NUT AND CAPTIVATION STEEL RORATING WIRE	4

**NOTES:**

1. THE FIGURE IS FOR REFERENCE ONLY, AND NOT FOR SCALE
2. OVERALL DIMENSION : 113 x 82 x 66mm
3. OVERALL WEIGHT : 440g

DATE		NAME	 DYNATRON CORPORATION
DRAWN	06/26/2019	Engr	
CHECKED	06/26/2019	LANG	TITLE: <b>2U Active Cooler N5</b> BOM & Exploded Assembly Drawing
ENG. APPR.			
MFG. APPR.			
G.A.			
COMMENTS:			DWG. No:
			<b>DYN-EP-N5</b>
			REV <b>0.0</b>

REV#	DESCRIPTION	CHECKER	DATE
0.0	INITIAL RELEASE	LANG	06/26/2019



	NAME	DATE
DRAWN BY	engr	06/26/2019
CHECKED BY	LANG	06/26/2019
ENG. APPROVED		
MFG. APPROVED	-	-



**DYNATRON CORPORATION**

TOP MOTOR

TITLE: **2U Active Cooler N5**  
Overall Dimension Drawing

**CONFIDENTIAL DOCUMENT**  
THIS DRAWING CONTAINS INFORMATION PROPRIETARY TO DYNATRON CORPORATION AND DYNAEON INDUSTRIAL CO., LTD. ANY REPRODUCTION, DISCLOSURE, OR USE OF THIS DRAWING IS EXPRESSLY PROHIBITED EXCEPT AS DYNATRON CORPORATION AND DYNAEON INDUSTRIAL CO., LTD. MAY OTHERWISE AGREE TO IN WRITING.

VIEW	
UNITS	MM

DWG. No: **DYN-DM-N5**

REV. **0.0**



## Certificate of Environment Protection

### 環保證明書

<b>Customer:</b> 客戶名稱:	<b>Company:</b> _____ <b>Address:</b> _____ <b>Phone Number:</b> ____ - ____ - _____
<b>Issue Date:</b>	06/26/2019
<b>Product Model Number:</b>	N5
<p> <b>Dynatron Corporation</b> hereby declares and certifies that all components manufactured are RoHS compliant according to the definitions and restrictions given by the European Union's Restriction (Directive 2002/95/EC) (Decision2011/65/EU)RoHS 2, on the restriction of the use of certain Hazardous Substances in the electrical and electronic equipment. Also, compliance to the most recent list of substances on the REACH candidate list.                     </p> <p> <b>Number of substances on the Candidate List: 168 (last updated: 17/12/2015)</b> </p> <p>                         No exemptions are claimed in order for the part to be compliant with the RoHS directive.                     </p> <p> <b>Dynatron Corporation / 政久興業股份有限公司</b>證明所有產品,零件 (包括附屬品, 包裝類) 之環境管理物質完全符合 RoHS, WEEE, 及該環保標準之規定, 並承諾遵循以上之證明.                     </p> <div style="text-align: right; margin-top: 20px;"> <p><b>Dynatron Corporation.</b></p> <p>33200 Western Ave,</p> <p>Union City, CA 94587</p> </div> <div style="margin-top: 20px;"> <p>                             Title (職務): _____ ASSISTANT-MANAGER _____                         </p> <p>                             Signature (簽字): _____ <i>Alan Lee</i> _____                         </p> <p style="text-align: right; margin-right: 50px;">Date: 06 / 26 / 2019</p> </div>	

